

BT Transmitter Duo assembly instructions

Basic requirements

The BT headset in the helmet must be prepared for an additional BT A2DP connection. Whether this is possible is stated in the operating instructions for the BT Headset.

Depending on the headset used, it is necessary to switch between intercom operation and listening to music manually. Some headsets automatically switch to intercom as soon as they speak. After longer breaks we switched back to the transmitter.

There is no return channel available. A CB radio can not be supplied with a microphone signal.

After installing the BT Transmitter, the existing headset connections remain functional and wired headsets can be operated without interference. A mixed operation of a BT headset and a wired headset is not possible. The BT transmitter **does not have a microphone back channel.**

Function

The BT Transmitter Duo establishes the connection between the audio system and two BT headsets (driver and passenger). The signals from the audio system are transmitted in stereo and in good quality (MP3 quality) to the driver and passenger BT headsets.

The BT transmitter supports the A2DP and aptX protocol.

Assembly

Normally, the BT Transmitter is housed in the front left storage compartment.

For assembly, the left front storage compartment must be removed.

The BT transmitter is glued to the side wall of the storage compartment with self-adhesive Velcro tape. The round hole in the storage compartment (for the AUX cable) must be enlarged so that the connectors from the BT transmitter fit through.

Track the headset connection cable to the 6-pin connector under the storage compartment. Disconnect the connector and connect it to the connectors of the BT Transmitter.

Follow the AUX cable to the rubber grommet. In the grommet is the red 3 pin 12V ACC connector. Plug in the 3 pin power supply plug from the power supply. Route the cable from the power supply to the transmitter and connect to the power supply connector.

The BT Transmitter can also be stored in one of the rear storage compartments.

The connection is made with the rear headset Connection under the seat. The power supply can be tapped from the ACC terminals on the fuse distributor.

Commissioning

After switching on the ignition (ACC), the blue LED flashes.

The flashing signals that no headset is connected yet.

If a headset has already been paired with the BT Transmitter and it is turned on, the LED is lit continuously.

Pairing with the first BTHeadset (driver)

Switch on the ignition (ACC). Turn on the radio and switch to Headset. Set the middle volume (15).

The driver switch on the headset and put it into pairing mode. The transmitter connects after a few seconds with the headset. After about 10 seconds, the audio signal is transmitted to the helmet.

The LED on the transmitter lights up constantly.

Pairing with the second headset (passenger)

Switch on the ignition (ACC). Turn on the radio and switch to Headset. Set the middle volume (15).

The passenger switch on the headset and put it into pairing mode.

On the transmitter, press the button for approx. 2 seconds. The LED flashes. The connection to the first headset is interrupted while the connection is being established.

The transmitter connects after a few seconds with the headset. After about another 10 seconds, the audio signal is transmitted to the helmet.

The LED on the transmitter lights up constantly.

When the headsets are paired with the transmitter, the connection is established automatically after the ignition is turned on.

Reset

If there are problems with the connection or the connection is not established automatically, a reset should be made and the headsets should be paired again.

To execute a remainder, press the button for at least 5 seconds. The LED then flashes. After the reset all saved connections are deleted.

Test connection

Turn on the headsets.

Switch on the ignition (ACC), set a radio station on the radio, switch the radio to headset and set the volume to 15. As soon as the connection to the headset has been established, the LED on the transmitter lights up continuously.

Put the BT headsets in audio mode (switch manually, do not talk)

In both headsets, the radio should now be audible. On the radio, the volume should be set so that no consumption is audible. The volume can be adjusted on the radio as well as on the BT headsets. It should be ensured that the volume on the radio is not set too low, because otherwise the noise from the GL audio system is audible. It is best to set the radio volume as high as possible and reduce the volume on the headset. This prevents the noise in soft passages is audible.

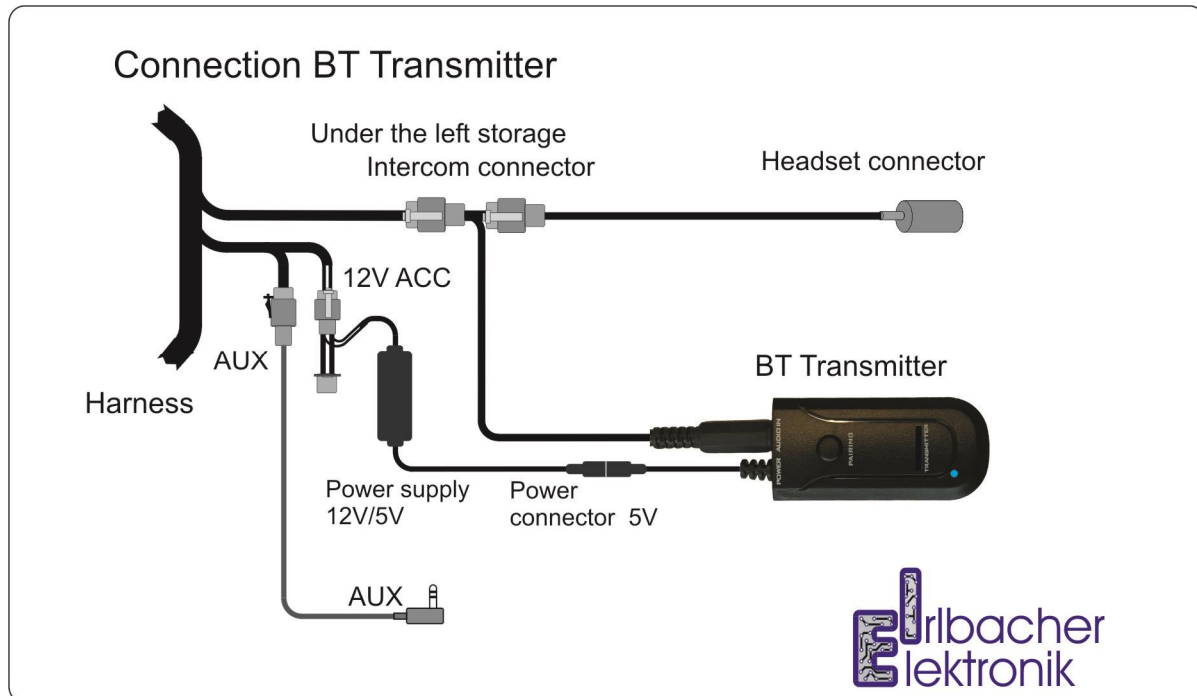
The GL Intercom should be switched off. A switched-on intercom causes additional noise.

Depending on the headset used, it is necessary to switch between intercom operation and listening to music manually. Some headsets automatically switch to intercom as soon as they speak. After prolonged pauses in speech, the transmitter is switched back to the transmitter.

After switching off the ignition, the BT connection to the headsets is interrupted.

Before the ignition is switched on, the headsets should be switched on. After switching on the ignition, the connection between the BT Transmitter and the BT headsets is automatically established.

If problems occur during installation or commissioning, send an Email irlbacher@w.irlbacher.de



Klinkerstrasse 7, 25436 Moorrege
Tel. 04122 967690, irlbacher@w.irlbacher.de
www.w-irlbacher.de

