

## LED turn signal bulb GL1800

The LED indicator bulb lights in white (running lights) and yellow (turn signal).  
The LED bulbs can only be mounted in **clear turn signal housing**.

If the LED bulbs are mounted, **a flasher relay for LED bulbs** is required.

If the original flasher relay should be used, must be integrated load resistors.  
To simulate the power consumption of 20W turn signal bulb.

If no load resistors installed a defective bulb is detected and the turn signal relay flashes too quickly.  
The best solution is to replace the flasher relay.

### Assembly

Remove the left and right mirror.

Remove the lamp socket (left turn) and disconnect.

Carefully insert the LED indicator bulbs into the reflector and press the rubber collar into the reflector housing.

### US Wing

The (3-pin) connector from the LED lamp connected to the turn signal connector.

For **models from 2006**, an **adapter cable** is required.

### EU Wing

For the white light is necessary a plus from driving light or tail light.

Must be wired separately.

The (indicators) connector on the wiring harness must be fitted with a 3 pin connector housing.

For **models from 2006**, an **adapter cable** is required.

### Function test

Turn on the ignition.

Both indicators should glow white. (For EU version will turn the white lights on with a short delay).

When a turn signal is activated, turns off the white light and the turn signal is active.

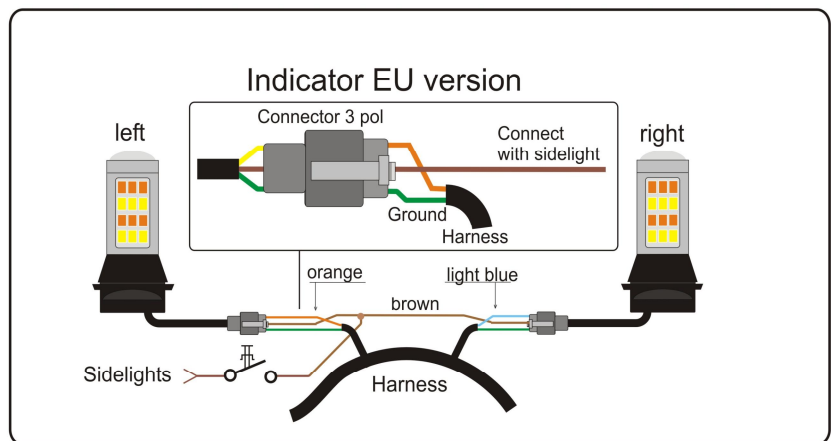
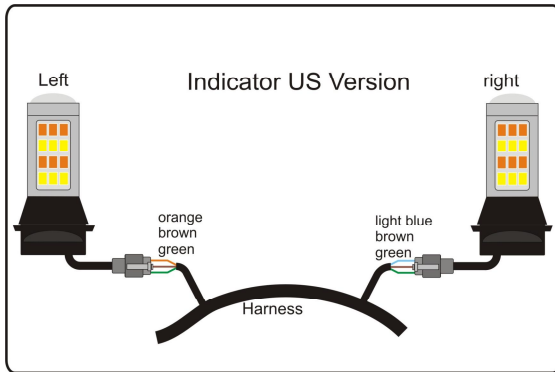
After completion of flashing lights, the turn signal lights white again (with the EU version with a light delay)

In case of occurring problems, please do not hesitate to contact us at +49 4122 967690. We help you.

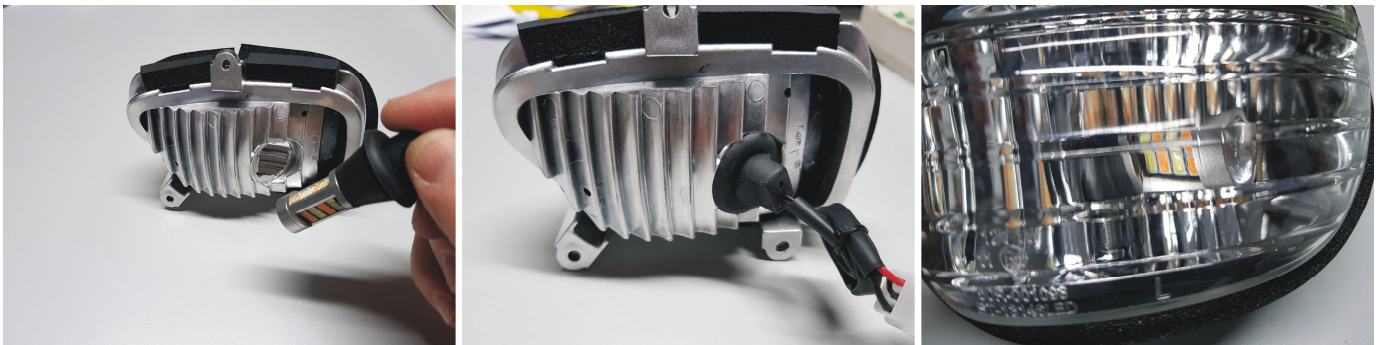


Klinkerstrasse 7, 25436 Moorrege, Germany  
Phone 0049 4122 967690, Fax 0049 4122 967689  
Mail [irlbacher@w-irlbacher.de](mailto:irlbacher@w-irlbacher.de), [www.w-irlbacher.de](http://www.w-irlbacher.de)

## Wiring diagram



## Assembly



Klinkerstrasse 7, 25436 Moorrege, Germany  
Phone 0049 4122 967690, Fax 0049 4122 967689  
Mail [irlbacher@w-irlbacher.de](mailto:irlbacher@w-irlbacher.de), [www.w-irlbacher.de](http://www.w-irlbacher.de)